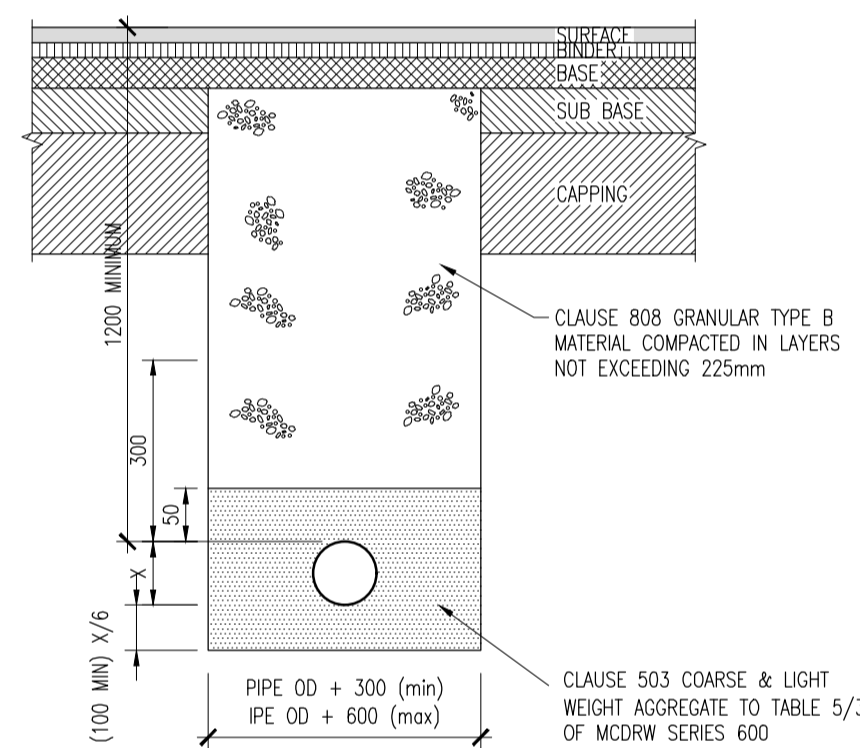
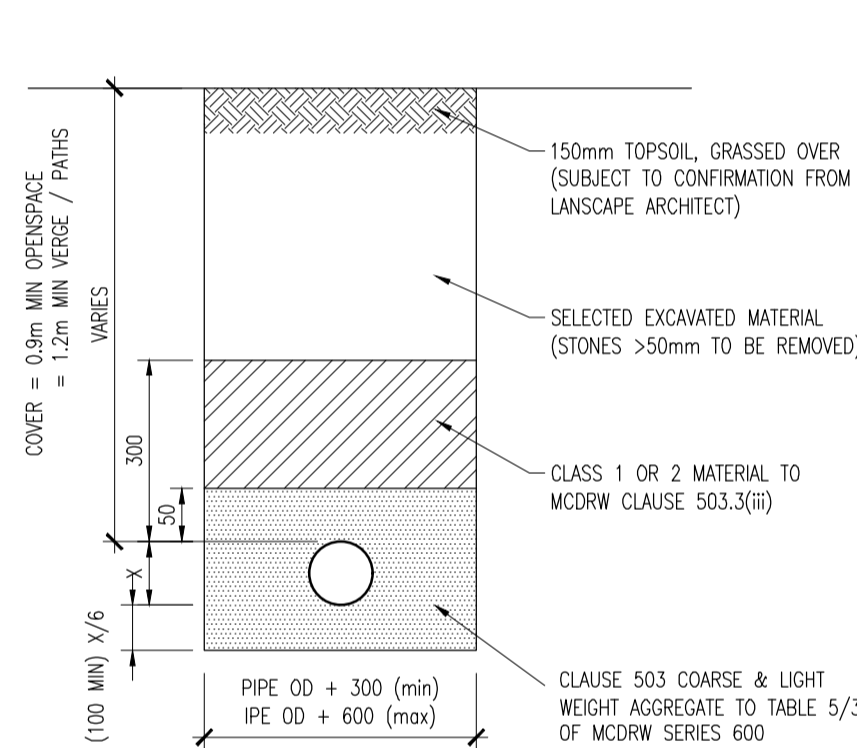


TYPE Z (RCD/500/21)
CONCRETE BEDDING/SURROUND
(COVER 750mm - 1200mm)

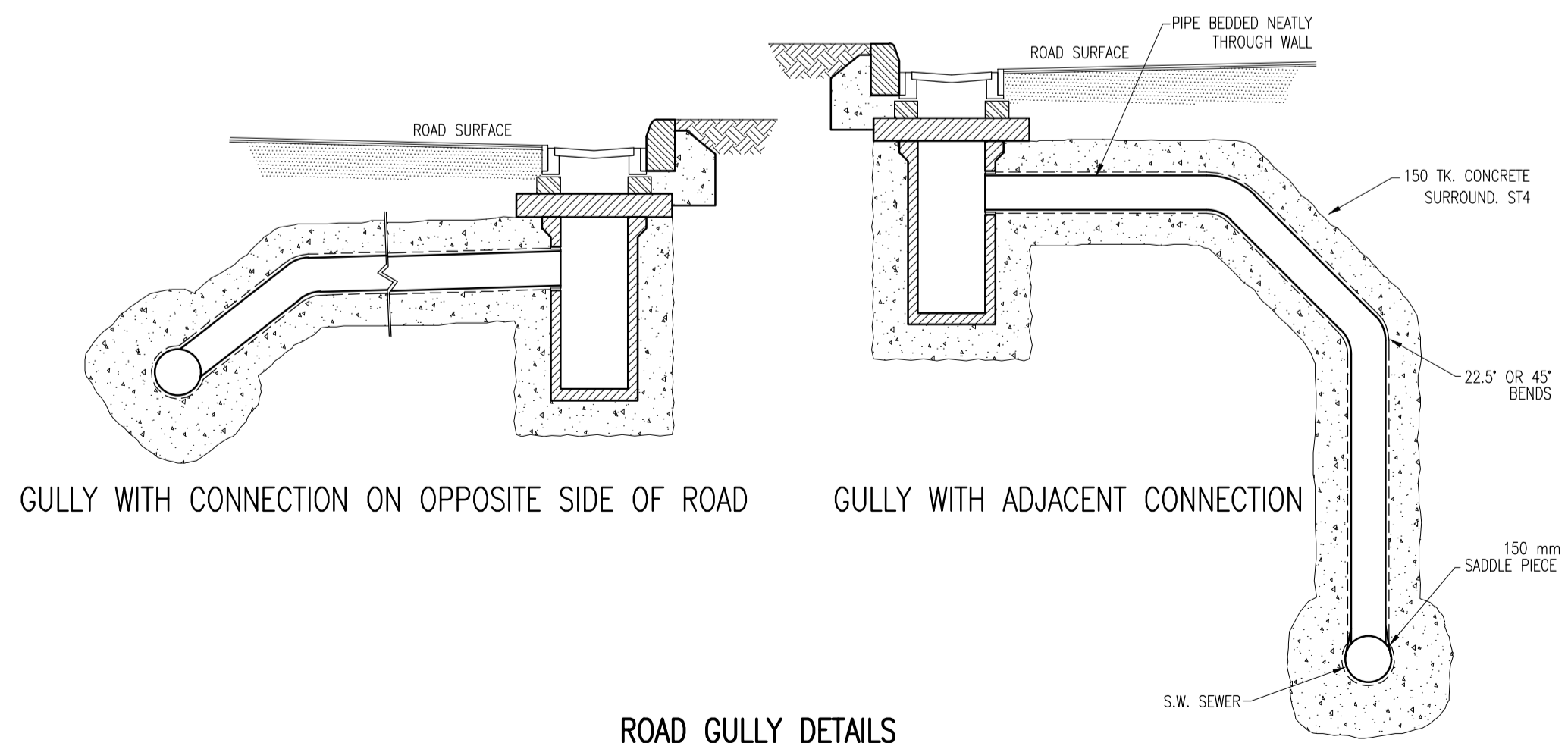
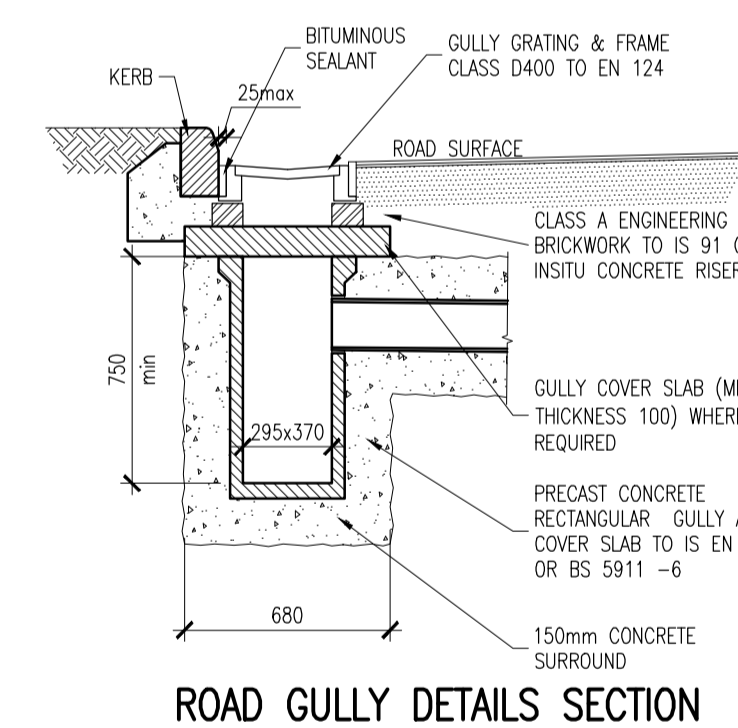
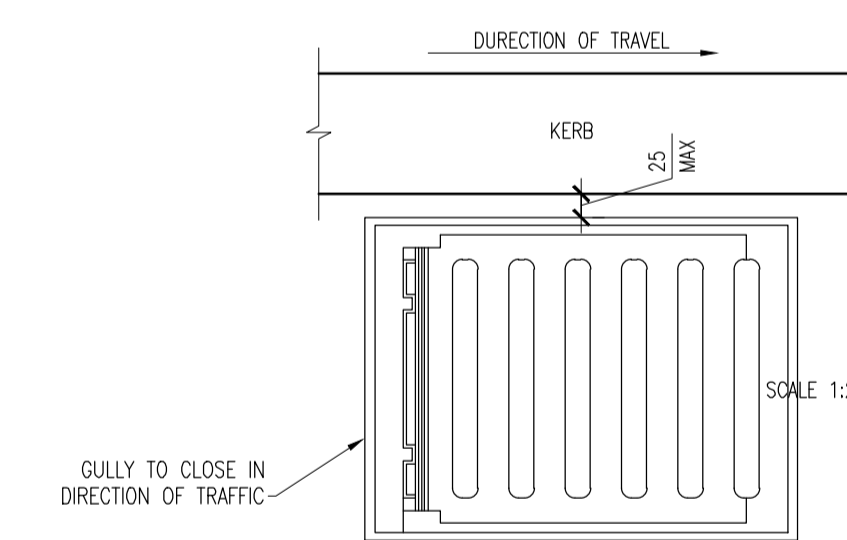
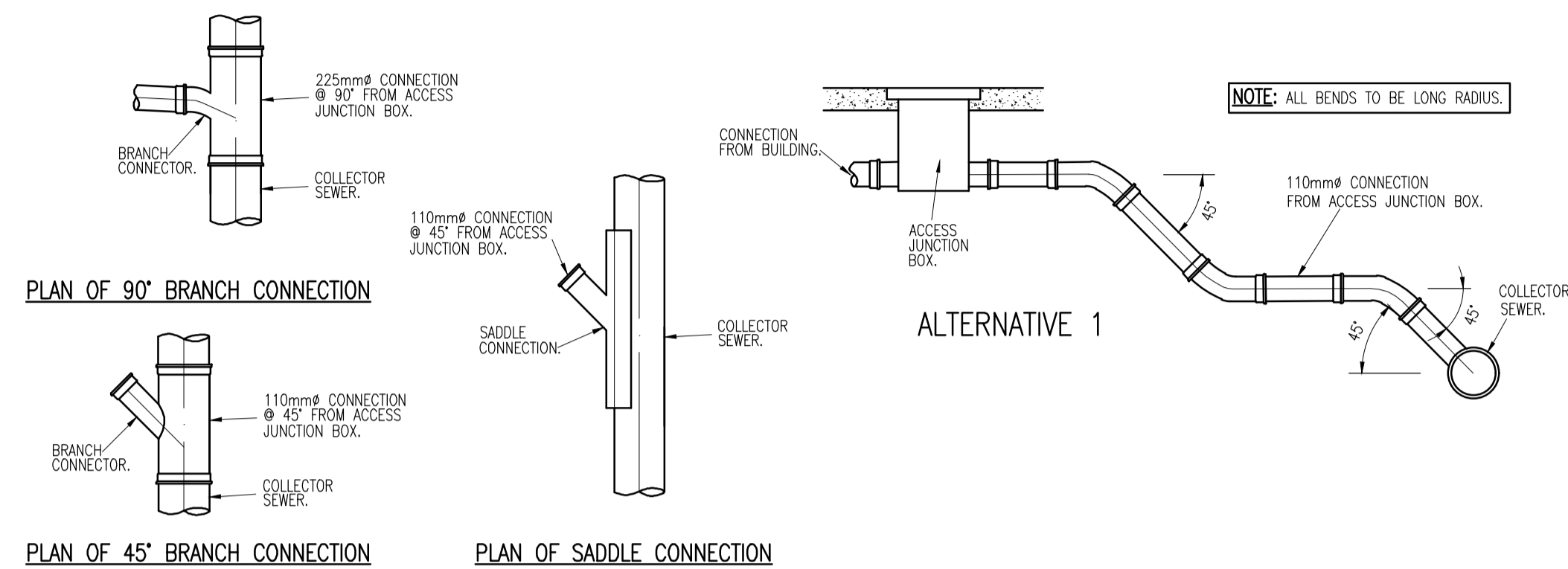


C - TRENCH BACKFILL/REINSTATEMENT DETAIL IN EXISTING ROADS

TYPE S
(COVER > 1.2 METRES TO CROWN)

PIPE BEDDING DETAILS
SCALE 1:25

- NOTES:
- ALL DIMENSIONS ARE IN MILLIMETRES.
 - DIMENSION X IS THE EXTERNAL DIAMETER OF THE PIPE (#225 = 301mm, #450 = 588mm & WIDER AT SOCKETS).
 - THE MINIMUM AND MAXIMUM WIDTH OF THE TRENCH APPLIES ON AND BELOW A LINE 300mm ABOVE THE OUTSIDE TOP OF THE PIPE. ABOVE THE 300mm LINE THE TRENCH BACKFILL MATERIAL SHALL BE AS PER TYPICAL TRENCH DETAILS.
 - BEDDING TO BE COMPACTED IN ACCORDANCE WITH SPECIFICATION & MANUFACTURERS RECOMMENDATIONS



ON ORIGINAL

0 5 10 20 30 40 50mm

© COPYRIGHT OF THIS DRAWING IS RESERVED BY DBFL CONSULTING ENGINEERS. NO PART SHALL BE REPRODUCED OR TRANSMITTED WITHOUT THEIR WRITTEN PERMISSION.

NO CHANGES OF WHATSOEVER NATURE ARE TO BE MADE TO ANY DETAILS SET OUT OR CONTAINED IN ANY DBFL SPECIFICATIONS OR DRAWINGS UNLESS THE EXPRESS CONSENT HAS BEEN OBTAINED IN ADVANCE, IN WRITING, FROM DBFL.

NOTES:

GENERAL NOTES:

- ALL DRAWINGS TO BE CHECKED BY CONTRACTOR ON SITE AND ENGINEER INFORMED OF DISCREPANCIES BEFORE WORK COMMENCES.
- ALL DIMENSIONS AND LEVELS ARE IN METRES UNLESS NOTED OTHERWISE.
- ALL LEVELS ARE IN METERS AND ARE RELATED TO ORDINANCE DATUM. CO-ORDINATES RELATE TO NATIONAL GRID.
- CONTRACTOR SHALL SATISFY THEMSELVES AS TO THE ACCURACY OF PAVEMENT LEVELS ON SITE PRIOR TO COMMENCEMENT OF WORKS ON SITE.
- ALL WASTEWATER INFRASTRUCTURE INCLUDING FOUL SEWERS, CONNECTIONS AND MANHOLES TO SAME SHALL COMPLY WITH AND BE CONSTRUCTED IN ACCORDANCE WITH THE IRISH WATER CONNECTION AND DEVELOPER SERVICES WASTEWATER INFRASTRUCTURE STANDARD DETAILS DOCUMENT IW-CDS-5030-01.
- FOUL SEWERS PIPE MATERIAL TO BE IN ACCORDANCE WITH SECTION 3.13 OF THE IRISH WATER CODE OF PRACTICE WHICH IS REPRODUCED IN SPECIFICATION APPENDIX 5.1.
- SURFACE WATER SEWER PIPE MATERIAL TO BE CLASS H CONCRETE TO EN 1916 & IS 6 2004 IN ACCORDANCE WITH THE GREATER DUBLIN REGIONAL CODE OF PRACTICE FOR DRAINAGE WORKS.
- LOCATION AND INVERT LEVELS OF EXISTING MANHOLES AND OUTFALL POINTS TO BE VERIFIED BY CONTRACTOR PRIOR TO COMMENCEMENT OF DRAINAGE WORKS.
- ALL COVER LEVELS TO MATCH FINISHED ROAD/VERGE/FOOTPATH/CYCLETRACK LEVELS UNLESS OTHERWISE STATED.
- ALL SURFACE WATER DRAINAGE WORKS/CONNECTIONS TO COMPLY WITH THE REQUIREMENTS OF THE LOCAL AUTHORITY.
- CONTRACTOR TO INCLUDE FOR CCTV SURVEY OF ALL FOUL & SURFACE WATER SEWERS / DRAINAGE UPON COMPLETION OF SAME.
- MANHOLE COVERS IN LANDSCAPED AREAS TO BE SURROUNDED BY A CONCRETE PLINTH, 200MM ALL ROUND AND 100MM DEEP FORMED WITH C20/25 CONCRETE, 20MM AGGREGATE SIZE, BEDDED IN CLAUSE 804 MATERIAL.

1	15-05-2026	STAGE 3 LR D SUBMISSION	PV	NGC
0	13-02-2026	STAGE 2 LR D SUBMISSION	GK	NGC
rev	date	description	by	chkd.
STATUS CODES				
purpose	acceptance			
P3 - PLANNING PERMISSION	S - ISSUED			
DBFL CONSULTING ENGINEERS				
T : 353 1 400 4000 E: info@dbfl.ie W: www.dbfl.ie				
DUBLIN CORK GALWAY WATERFORD				
project ref.				
SITE AT WHITESTOWN WAY - TALLAGHT				
drawing title				
TYPICAL DRAINAGE DETAILS - SHEET 2				
client				
ARP 4.2 SUSTAINABLE COMMUNITIES (IRELAND) FUND				
designed by	author	scale	sheet size	
NGC	GK	AS SHOWN	A1	
drawing no.				revision
240192-X-05-Z00-XXX-DR-DBFL-CE-5302				1