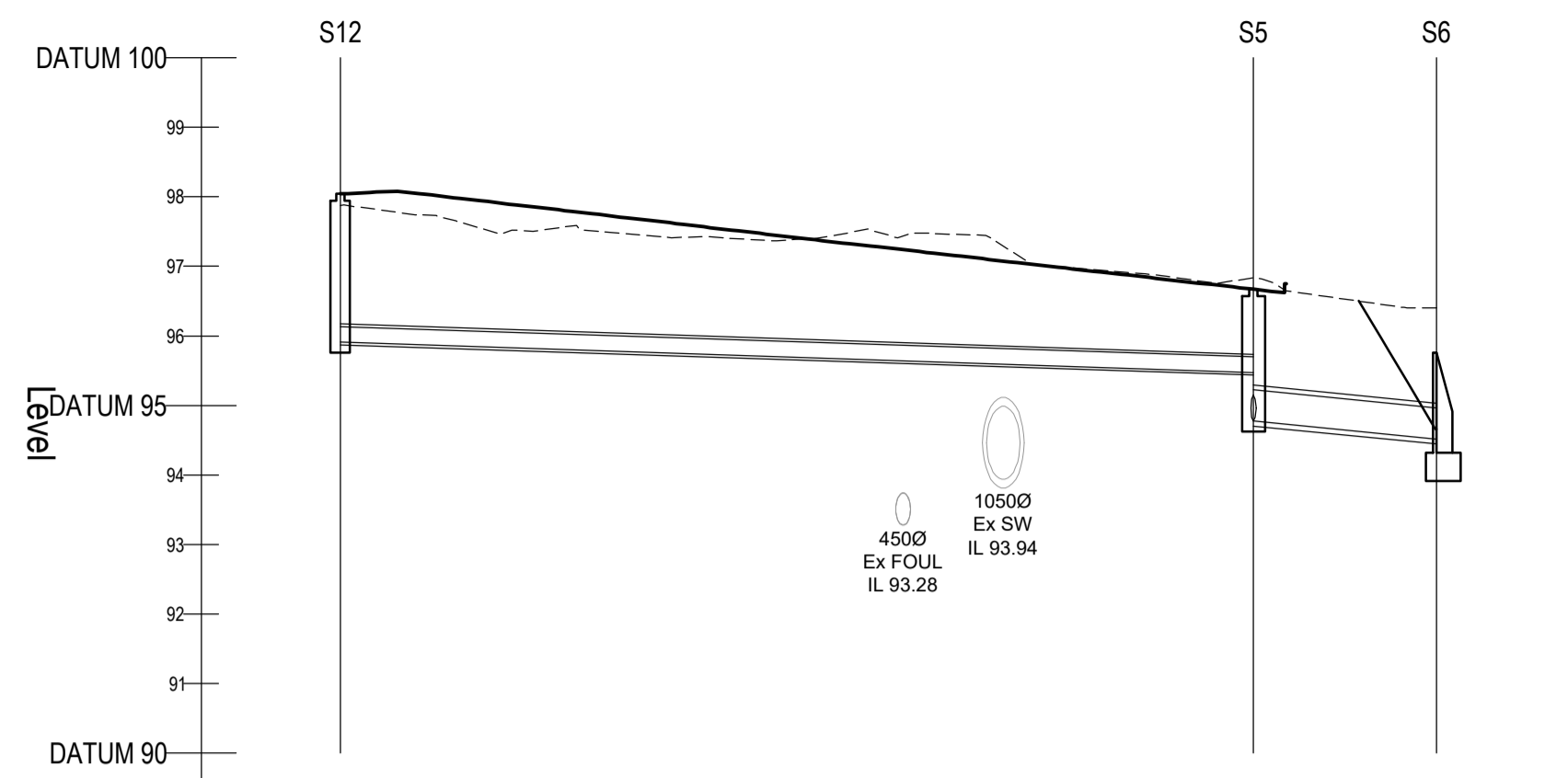


SCALE: H 1:500,V 1:100. DATUM: 90.000

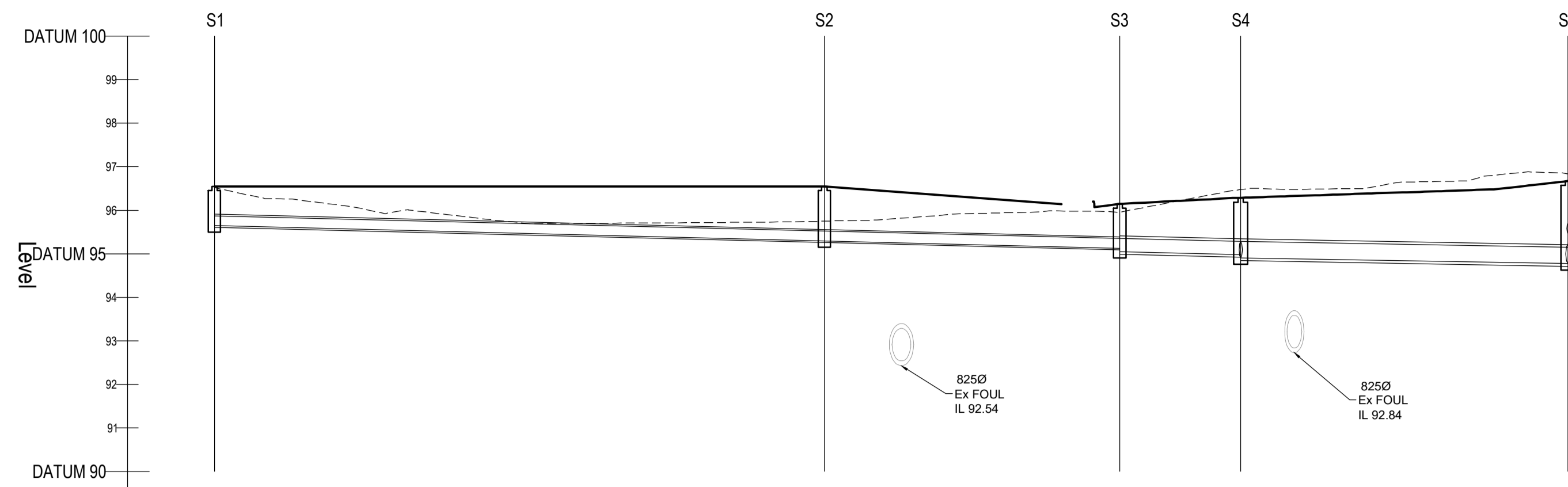


COVER LEVEL		96.04		96.671	96.331
INVERT LEVEL		95.909		95.473 94.773	94.512
DEPTH (m)		2.15		1.688	0.819
DISTANCE (m)			65.64		13.13
PIPE SLOPE			1:151		1:50
PIPE SIZE			225mm		450mm

4500
Ex FOUL
IL 93.28

10500
Ex SW
IL 93.94

SCALE: H 1:500,V 1:100. DATUM: 90.000

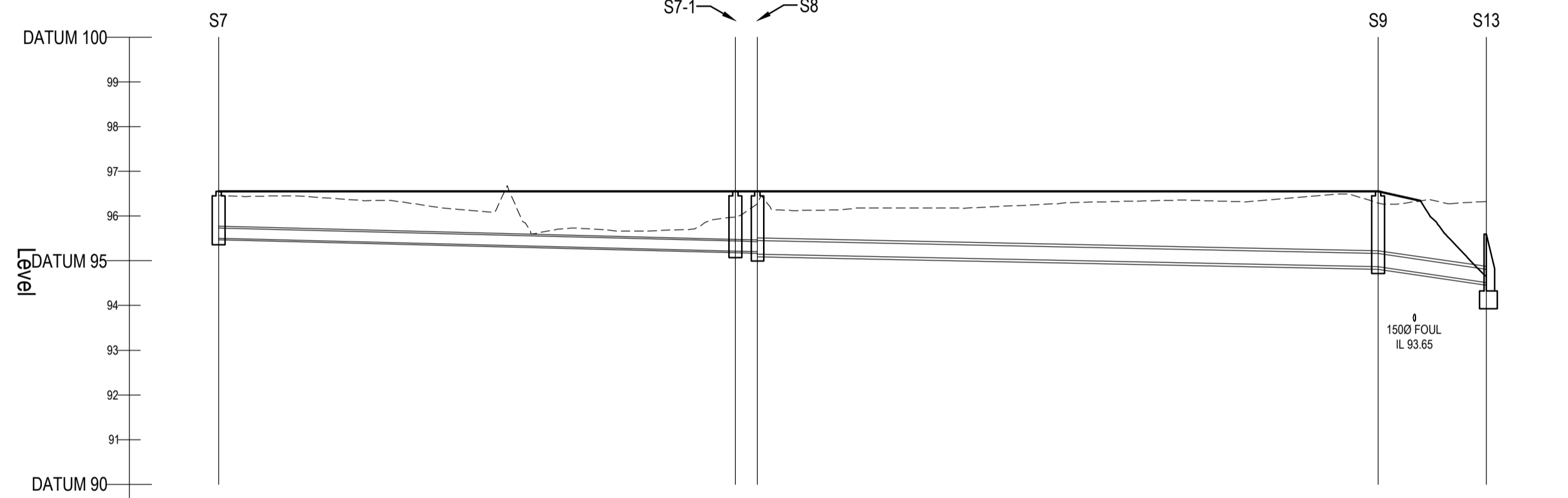


COVER LEVEL		96.150		96.146	96.207	96.671
INVERT LEVEL		95.647	95.296 95.296	95.127 95.052	94.882 94.907	94.773
DEPTH (m)		0.503	1.254	1.095	1.380	1.898
DISTANCE (m)			70.05		33.92	13.90
PIPE SLOPE			1:200		1:200	1:280
PIPE SIZE			225mm		300mm	375mm

8250
Ex FOUL
IL 92.54

8250
Ex FOUL
IL 92.84

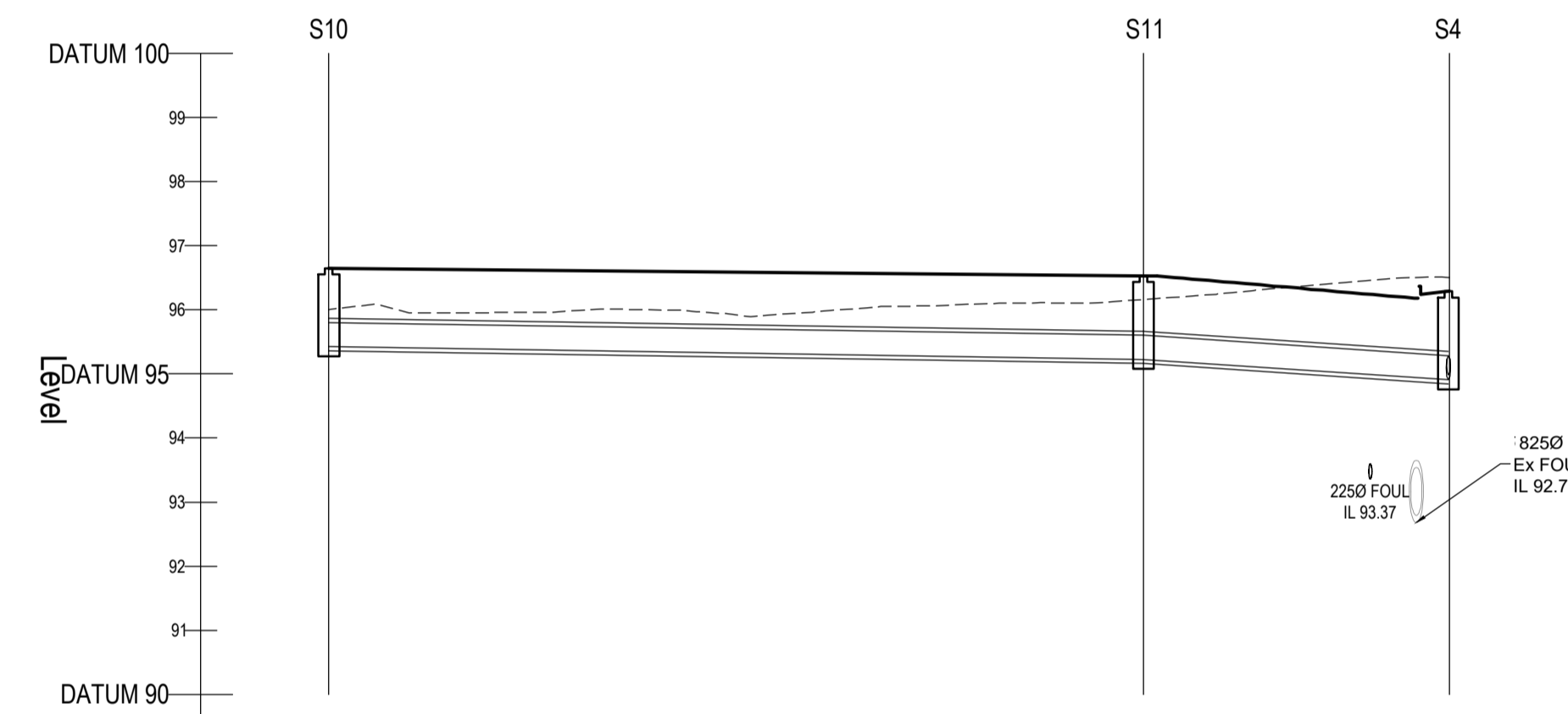
SCALE: H 1:500,V 1:100. DATUM: 90.000



COVER LEVEL		95.50		95.218 95.550	95.550	95.172
INVERT LEVEL		95.307		95.218 95.149	94.885 95.149	94.512
DEPTH (m)		1.043		1.332 1.401	1.665	0.660
DISTANCE (m)			57.84		69.46	12.08
PIPE SLOPE			1:200		1:245	1:34
PIPE SIZE			225mm		300mm	300mm

1500 FOUL
IL 93.65

SCALE: H 1:500,V 1:100. DATUM: 90.000

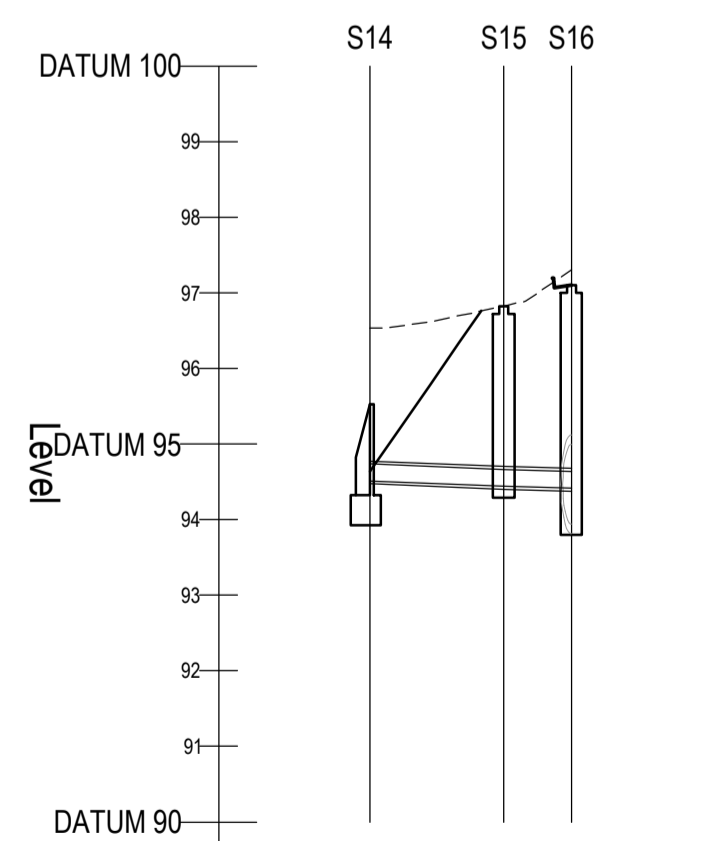


COVER LEVEL		96.50		96.530	96.287
INVERT LEVEL		95.425	95.225 95.225	94.907	94.907
DEPTH (m)		1.225	1.304	1.380	1.380
DISTANCE (m)			63.58		23.81
PIPE SLOPE			1:319		1:75
PIPE SIZE			375mm		375mm

8250
Ex FOUL
IL 92.79

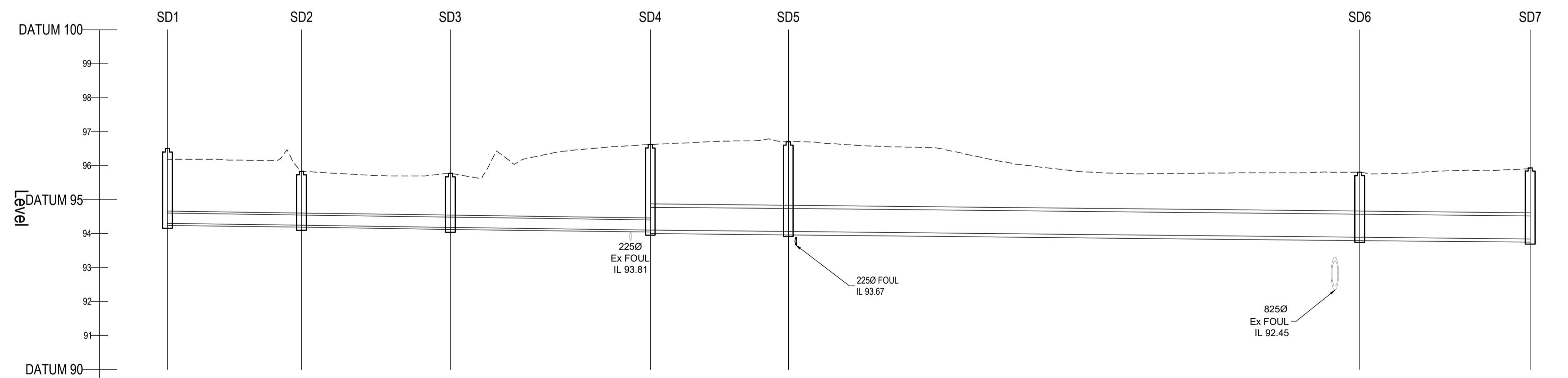
2250 FOUL
IL 93.37

SCALE: H 1:500,V 1:100. DATUM: 90.000



COVER LEVEL		95.075		96.821	97.100
INVERT LEVEL		94.512	94.439 94.439	94.413	94.413
DEPTH (m)		0.563	2.382	3.150	3.150
DISTANCE (m)			8.85		4.48
PIPE SLOPE			1:121		1:170
PIPE SIZE			225mm		225mm

SCALE: H 1:500,V 1:100. DATUM: 90.000

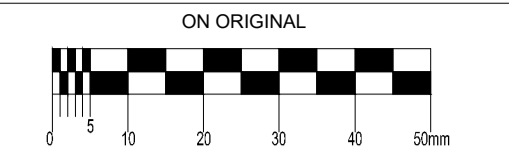


COVER LEVEL		96.500		96.628	95.789	96.620	96.705	96.808	96.935
INVERT LEVEL		94.300	94.245 94.245	94.183 94.183	94.100 94.100	94.039 94.039	93.881 93.881	93.841	93.841
DEPTH (m)		2.200	1.583	1.586	2.520	2.545	1.917	2.094	2.094
DISTANCE (m)			19.73		21.92		29.46		84.14
PIPE SLOPE			1:356		1:356		1:500		1:500
PIPE SIZE			300mm		300mm		300mm		675mm

2250
Ex FOUL
IL 93.81

2250 FOUL
IL 93.67

8250
Ex FOUL
IL 92.45



© COPYRIGHT OF THIS DRAWING IS RESERVED BY DBFL CONSULTING ENGINEERS. NO PART SHALL BE REPRODUCED OR TRANSMITTED WITHOUT THEIR WRITTEN PERMISSION.

NO CHANGES OF WHATSOEVER NATURE ARE TO BE MADE TO ANY DETAILS SET OUT OR CONTAINED IN ANY DBFL SPECIFICATIONS OR DRAWINGS UNLESS THE EXPRESS CONSENT HAS BEEN OBTAINED IN ADVANCE, IN WRITING, FROM DBFL.

1. ALL DRAWINGS TO BE CHECKED BY CONTRACTOR ON SITE AND ENGINEER INFORMED OF DISCREPANCIES BEFORE WORK COMMENCES
2. ALL LEVELS ARE IN METRES AND ARE RELATED TO ORDINANCE DATUM
3. CONTRACTOR SHALL SATISFY THEMSELVES AS TO THE ACCURACY OF PAVEMENT LEVELS ON SITE PRIOR TO COMMENCEMENT OF WORKS ON SITE
4. ALL WORKS TO BE CONSTRUCTED IN ACCORDANCE WITH THE NRA SPECIFICATION FOR ROAD WORKS UNLESS NOTED OTHERWISE
5. THIS DRAWING IS FOR PLANNING PURPOSES ONLY
6. MANHOLE COVER LEVELS ARE TO CONFORM WITH FINISHED ROAD AND PATH LEVELS
7. WHERE COVER TO PIPE IS LESS THAN 100mm (ROAD/PATH/VERGE) OR 900mm (OPEN SPACE) SURROUND PIPE IN MINIMUM 150mm CONCRETE

KEY

--- EXISTING GROUND PROFILE
— PROPOSED GROUND PROFILE

1	15-05-2026	STAGE 3 LRD SUBMISSION	PV	NGC
0	13-02-2026	STAGE 2 LRD SUBMISSION	GK	NGC
rev	date	description	by	chkd.

STATUS CODES
purpose acceptance
P3 - PLANNING PERMISSION S - ISSUED

DBFL
CONSULTING ENGINEERS

T - 353 1 400 4000 | E: info@dbfl.ie | W: www.dbfl.ie

DUBLIN | CORK | GALWAY | WATERFORD

project ref.
SITE AT WHITESTOWN WAY - TALLAGHT

drawing title
SURFACE WATER LONGITUDINAL SECTIONS

client
ARP 4.2 SUSTAINABLE COMMUNITIES (IRELAND) FUND

designed by	author	scale	sheet size
NGC	PV	AS SHOWN	A1
drawing no.	revision		
240192-X-05-X-XXX-DR-DBFL-CE-3301	1		