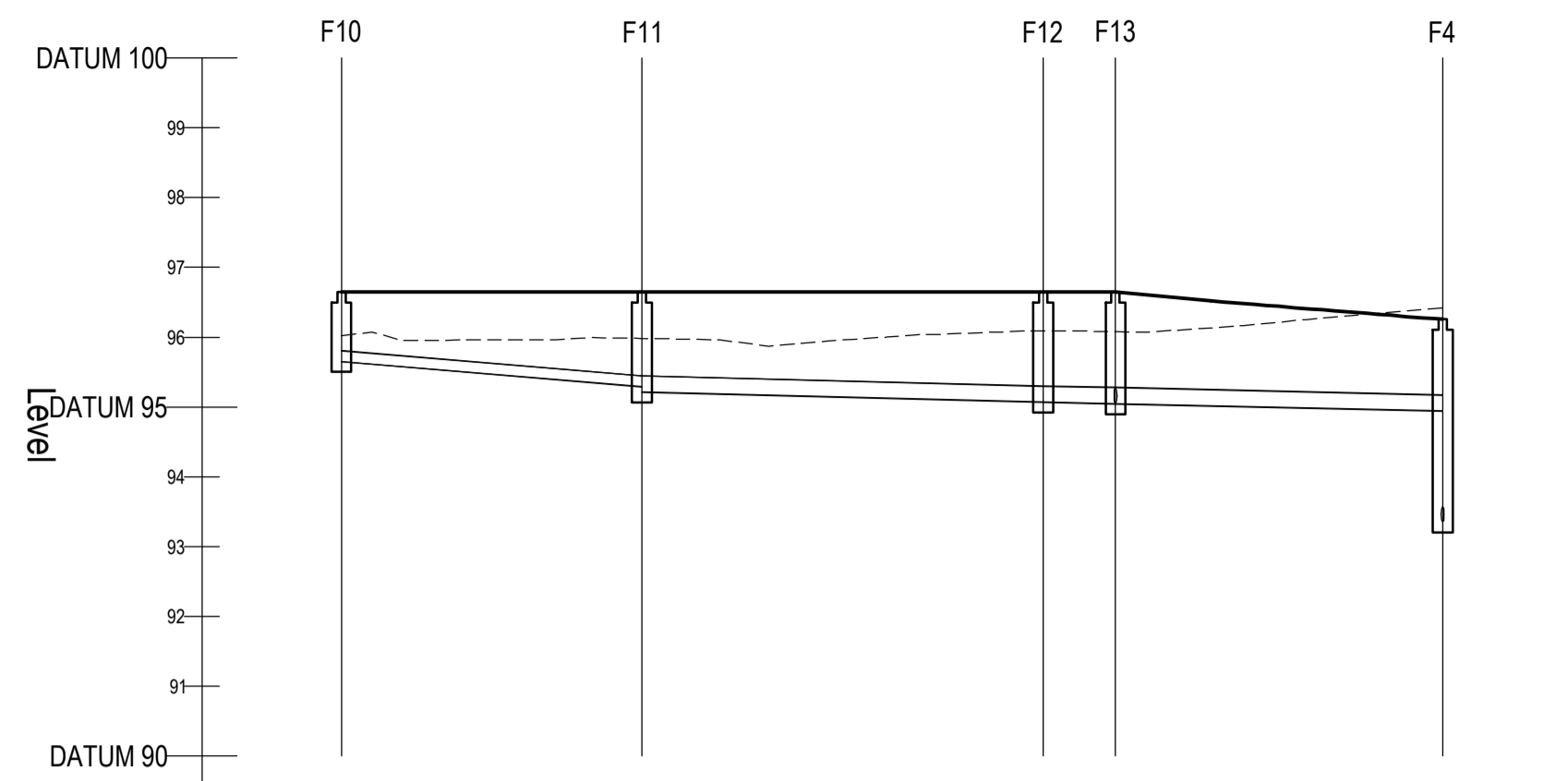
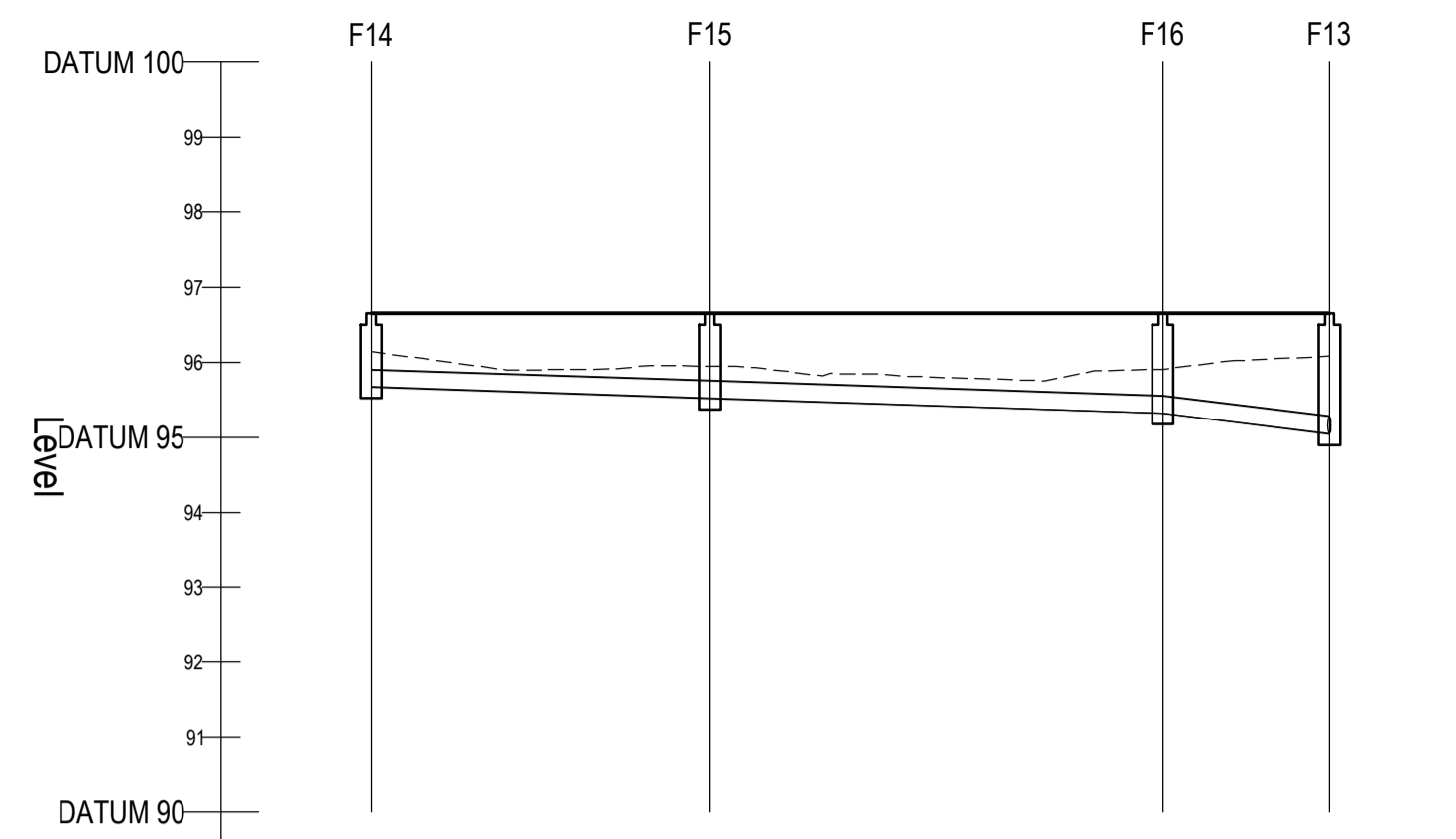


SCALE: H 1:500,V 1:100. DATUM: 90.000



COVER LEVEL		96.650				96.255
INVERT LEVEL		95.652	95.293 95.218	95.072 95.072	95.049 95.049	94.945
DEPTH (m)		0.998	1.432	1.578 1.601		2.304
DISTANCE (m)		21.52	28.73	5.19	23.43	
PIPE SLOPE		1.60	1.197	1.225	1.225	
PIPE SIZE						

SCALE: H 1:500,V 1:100. DATUM: 90.000



COVER LEVEL		96.650				96.650
INVERT LEVEL		95.674	95.523 95.523	95.322 95.322	95.049	96.650
DEPTH (m)		0.976	1.127	1.328 1.328	1.601	
DISTANCE (m)		22.60	30.19	11.10		
PIPE SLOPE		1:150	1:150	1:41		
PIPE SIZE		225mm	225mm	225mm		

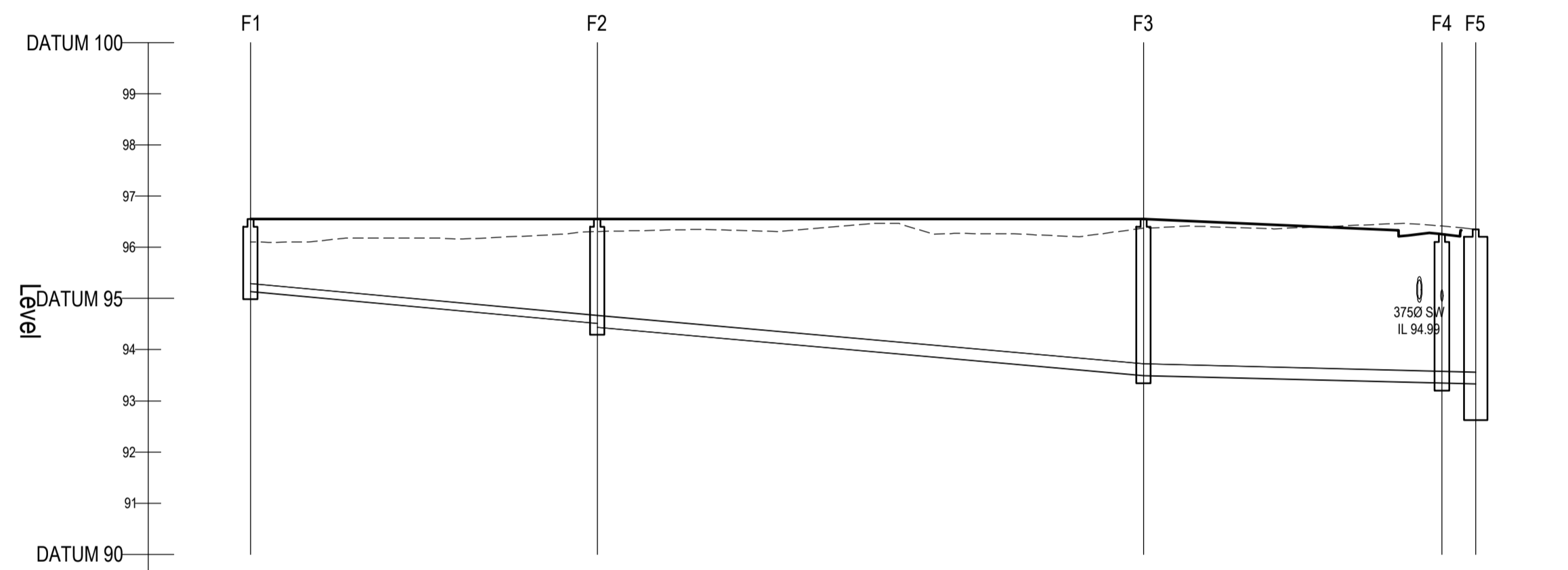
ON ORIGINAL

 © COPYRIGHT OF THIS DRAWING IS RESERVED BY DBFL CONSULTING ENGINEERS. NO PART SHALL BE REPRODUCED OR TRANSMITTED WITHOUT THEIR WRITTEN PERMISSION.
 NO CHANGES OF WHATSOEVER NATURE ARE TO BE MADE TO ANY DETAILS SET OUT OR CONTAINED IN ANY DBFL SPECIFICATIONS OR DRAWINGS UNLESS THE EXPRESS CONSENT HAS BEEN OBTAINED IN ADVANCE, IN WRITING, FROM DBFL.

- ALL DRAWINGS TO BE CHECKED BY CONTRACTOR ON SITE AND ENGINEER INFORMED OF DISCREPANCIES BEFORE WORK COMMENCES
- ALL LEVELS ARE IN METRES AND ARE RELATED TO ORDNANCE DATUM
- CONTRACTOR SHALL SATISFY THEMSELVES AS TO THE ACCURACY OF PAVEMENT LEVELS ON SITE PRIOR TO COMMENCEMENT OF WORKS ON SITE
- ALL WORKS TO BE CONSTRUCTED IN ACCORDANCE WITH THE NRA SPECIFICATION FOR ROAD WORKS UNLESS NOTED OTHERWISE
- THIS DRAWING IS FOR PLANNING PURPOSES ONLY
- MANHOLE COVER LEVELS ARE TO CONFORM WITH FINISHED ROAD AND PATH LEVELS
- WHERE COVER TO PIPE IS LESS THAN 100mm (ROAD/PATH/VERGE) OR 900mm (OPEN SPACE) SURROUND PIPE IN MINIMUM 150mm CONCRETE

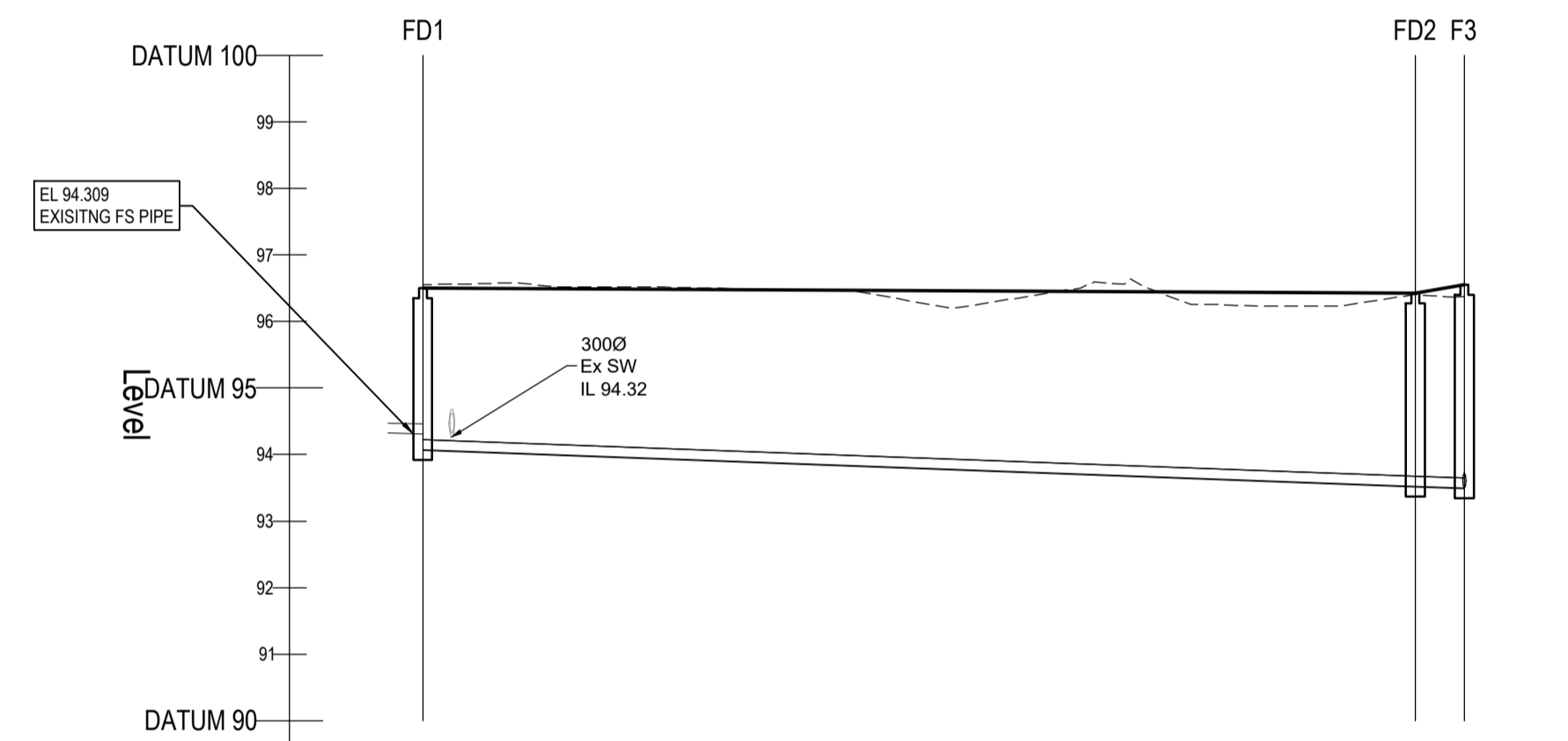
KEY
 - - - - - EXISTING GROUND PROFILE
 ————— PROPOSED GROUND PROFILE

SCALE: H 1:500,V 1:100. DATUM: 90.000



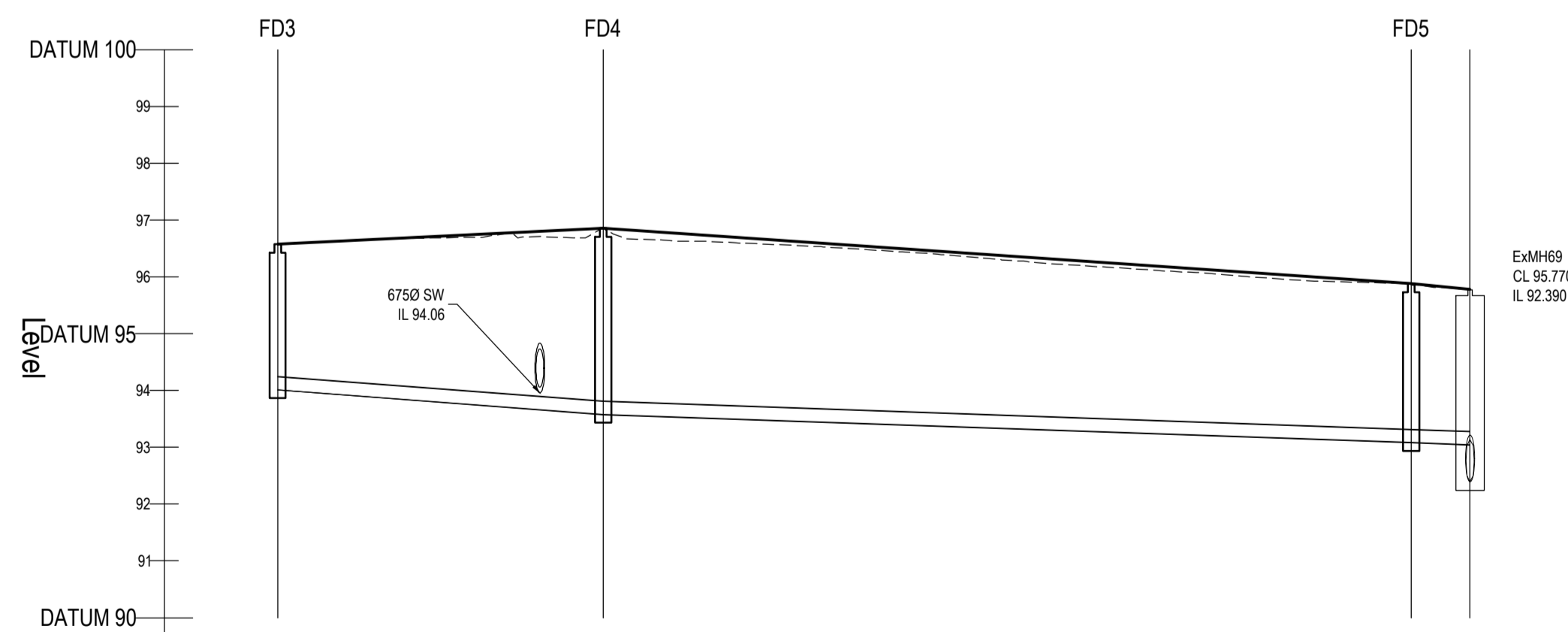
COVER LEVEL		96.550				96.255	96.352
INVERT LEVEL		95.139	94.475 94.440	93.406 93.406	93.351 93.351	93.351	93.351
DEPTH (m)		1.411	2.110	3.054	2.804	3.204	3.278
DISTANCE (m)			33.86	53.35	29.14	3.30	
PIPE SLOPE			1:54	1:57	1:201	1:200	
PIPE SIZE			150mm	225mm	225mm	225mm	

SCALE: H 1:500,V 1:100. DATUM: 90.000



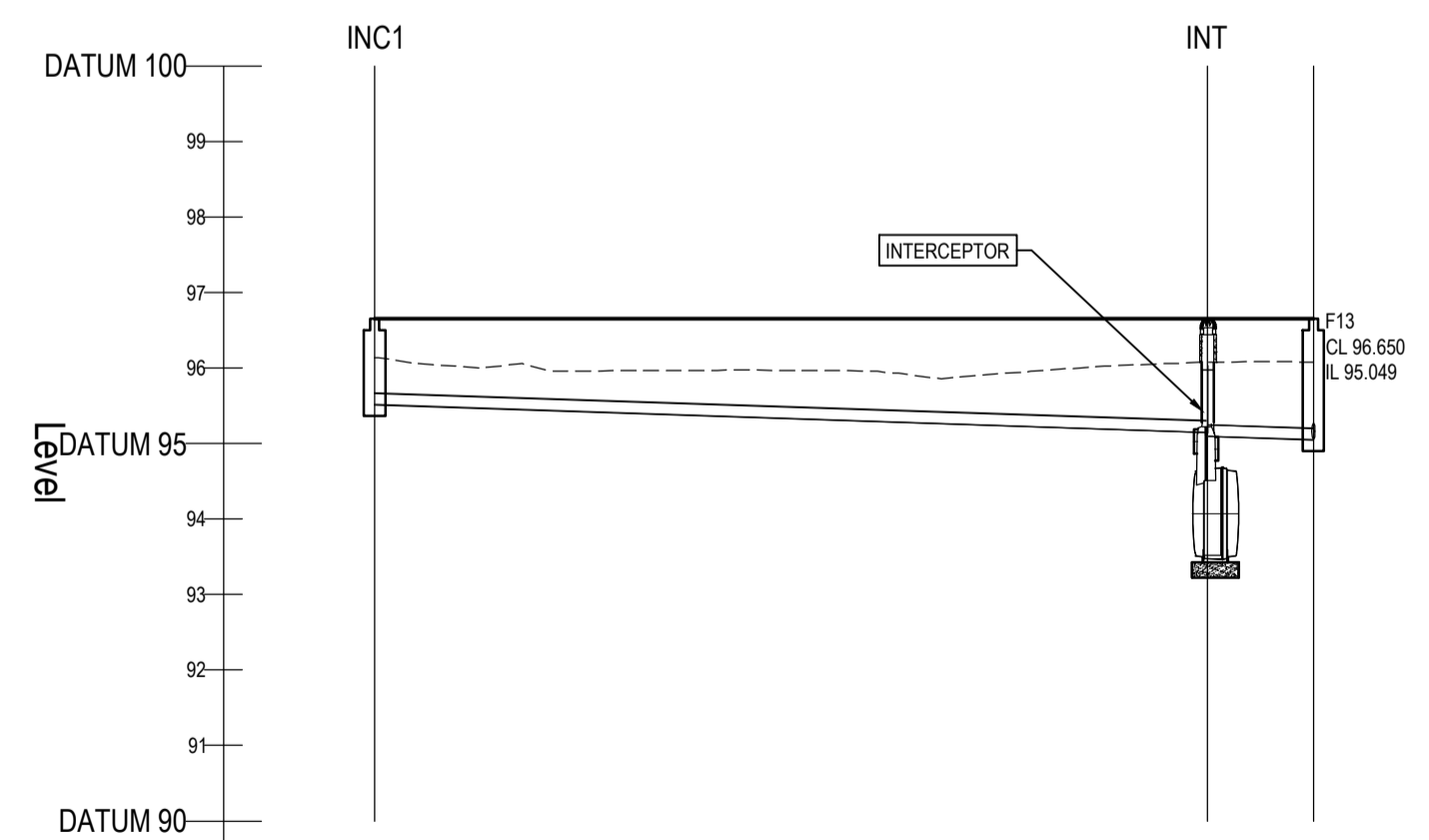
COVER LEVEL		96.500				96.426
INVERT LEVEL		94.070		93.520 93.520	93.495	96.426
DEPTH (m)		2.430		2.980	3.025	
DISTANCE (m)				74.56	3.68	
PIPE SLOPE				1:136	1:153	
PIPE SIZE				150mm	150mm	

SCALE: H 1:500,V 1:100. DATUM: 90.000



COVER LEVEL		95.572				95.850
INVERT LEVEL		94.014	93.581 93.581	93.083 93.083	93.046 93.046	93.046
DEPTH (m)		2.558	3.270	2.797	2.044	2.804
DISTANCE (m)			28.67	71.17	5.18	
PIPE SLOPE			1:66	1:143	1:140	
PIPE SIZE			225mm	225mm	225mm	

SCALE: H 1:500,V 1:100. DATUM: 90.000



COVER LEVEL		96.650				96.311
INVERT LEVEL		95.513		95.146 95.096	95.049	96.311
DEPTH (m)		1.137		1.504	1.562	
DISTANCE (m)				55.10	7.02	
PIPE SLOPE				1:150	1:150	
PIPE SIZE				150mm	150mm	

1	15-05-2026	STAGE 3 LRD SUBMISSION	PV	NGC
0	13-02-2026	STAGE 2 LRD SUBMISSION	GK	NGC
rev	date	description	by	chkd.
STATUS CODES				
purpose		acceptance		
P3 - PLANNING PERMISSION		S - ISSUED		

DBFL
 CONSULTING ENGINEERS
 T: + 353 1 400 4000 | E: info@dbfl.ie | W: www.dbfl.ie
 DUBLIN | CORK | GALWAY | WATERFORD

project ref.
SITE AT WHITESTOWN WAY - TALLAGHT
 drawing title
FOUL SEWER LONGITUDINAL SECTIONS
 client
ARP 4.2 SUSTAINABLE COMMUNITIES (IRELAND) FUND

designed by	author	scale	sheet size
NGC	PV	AS SHOWN	A1
drawing no.		revision	
240192-X-05-X-XXX-DR-DBFL-CE-3331		1	